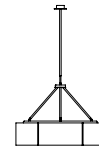


Sexta

Miguel Milá. 2003
Pendant lamps

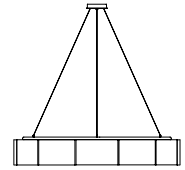


Sexta



A

Sexta 12



B



This New Century design is a lightweight, double circle of light divided into six 60° sections, for the small version, and twelve 30° sections for the large version. As with all designs by Miguel Milá, master and pioneer of Spanish design, the composition is beautiful and simple, generating a well-nuanced lighting.

Sexta is a renewal of the iron luminaire, reminiscent of traditional medieval chandeliers. Its illustrious, solid predecessor is the Estadio, also designed by Miguel Milá; when paired in the same room, they maintain a beautiful balance.

General description:

Chrome-plated structure.
White translucent PVC lampshades.
Optional opal translucent methacrylate diffusers.
Chrome-plated metallic circular canopy.

(A) Sexta

6 lampshades.

Optional support: 3 pendulous and telescopic support options which allows you to define the height at installation: 40/75 cm / 15.75/29.5", 82/152 cm / 32.3/59.8" or 156/302 cm / 61.4/118.9"

Junction Box adaptor included Ø 11,7 cm / 4.6" (UL market).

(B) Sexta 12

12 lampshades.

Hanging system of 1 support.

Suitable for Junction Box (UL market).

Approximate weight (unpacked):

(A) Sexta: 6 Kg / 13.2 lb

(B) Sexta 12: 8,2 kg / 18 lb

Technical information:

Light source included (CE market):

(A) 6 x / (B) 12 x LED bulb: 12 W / 1.521 lm / 2700K
E27 - E26 / Max. hgt. 115 mm / 4.5" / Max. power 60 W

Suitable only for indoor use.

Always use the light source recommended or equivalent.

Input voltage: 100, 120, 230 Vac.

(50 Hz / 60 Hz). According to destination.

Sexta

Miguel Milá. 2003
Pendant lamps

Regulations:

CE
UNE-EN 60598
UNE-EN 55015
UNE-EN 60529

UL

Dry location only
UL-1598
E-353545

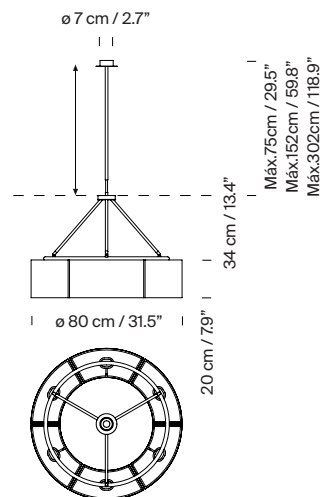
Maintenance:

Clean with a smooth cloth. Do not use ammonia, solvents or abrasive cleaning products.

Others:

The lamps is delivered in different packets.
The assembly instructions are delivered with the product.

Model A: Sexta



Model B: Sexta 12

