

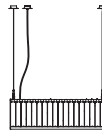
Línea Estadio

Miguel Milá. 2014
Pendant lamps


SANTA & COLE

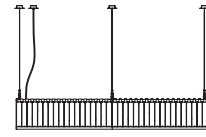


Línea Estadio 1 module



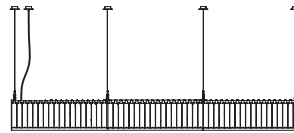
A

Línea Estadio 2 modules



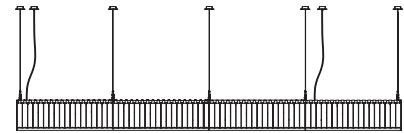
B

Línea Estadio 3 modules



C

Línea Estadio 4 modules



D



The linear version, Línea Estadio, has modules that can be connected together.

General description:

Texturized black metal structure with stainless steel structure hanging system and satin nickel canopy.

Glass block lampshade.

Junction Box adaptor included Ø 11,7 cm / 4.6".

This fixture must be mounted or supported independently of a Junction Box (American version).

Electric cable length: 4 m / 157,5

Approximate weight (unpacked):

(A) 1 module: 52 Kg / 115 lb

(B) 2 modules: 104 Kg / 229 lb

(C) 3 modules: 156 Kg / 344 lb

(D) 4 modules: 208 Kg / 459 lb

Before installing, consider the weight of the luminaire.

Technical information:

Recommended light source (not included):

LED bulb (5 x module): 11 W / 1.521 lm / 2700K

E27 - E26 / Max. hgt.155 mm / 6.1"

Suitable only for indoor use.

Always use the light source recommended or equivalent.

Input voltage: 100, 120, 230 Vac.

(50 Hz / 60 Hz). According to destination.

Regulations:

European version

UNE-EN 60598

UNE-EN 55015

UNE-EN 60529

American version

Dry location only

UL-1598

E-353545

Línea Estadio

Miguel Milá. 2014

Pendant lamps



SANTA & COLE

Maintenance:

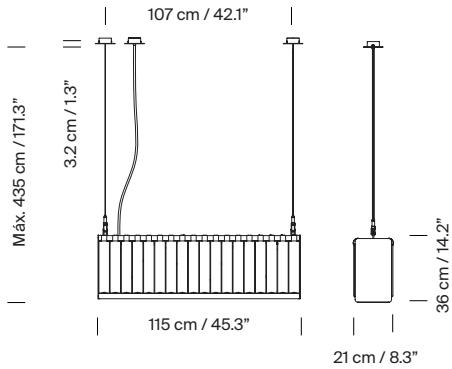
Clean with a smooth cloth. Do not use ammonia, solvents or abrasive cleaning products.

Others:

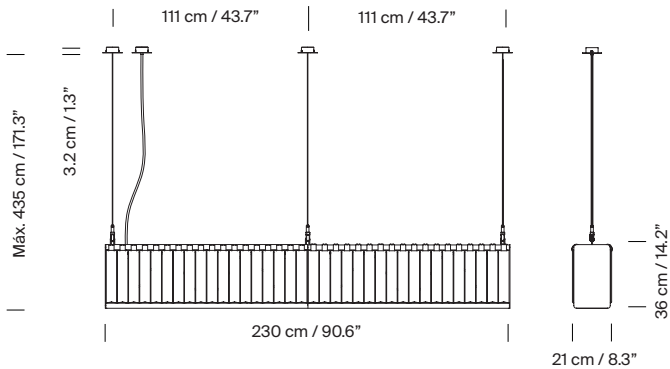
The lamp is delivered in different packets.

The assembly instructions are delivered with the product.

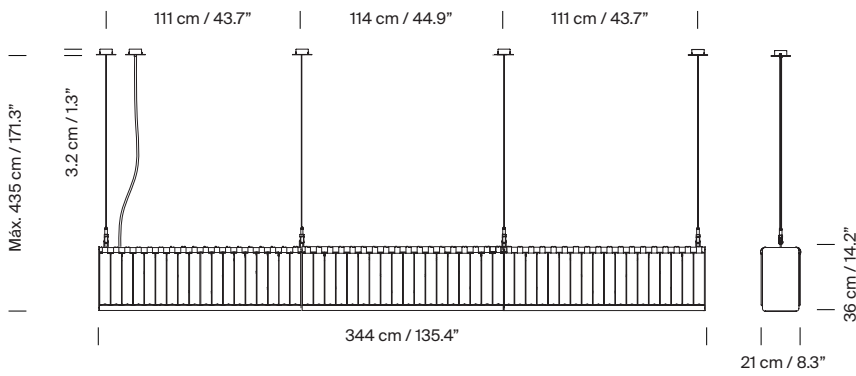
Model A: Línea Estadio 1 module



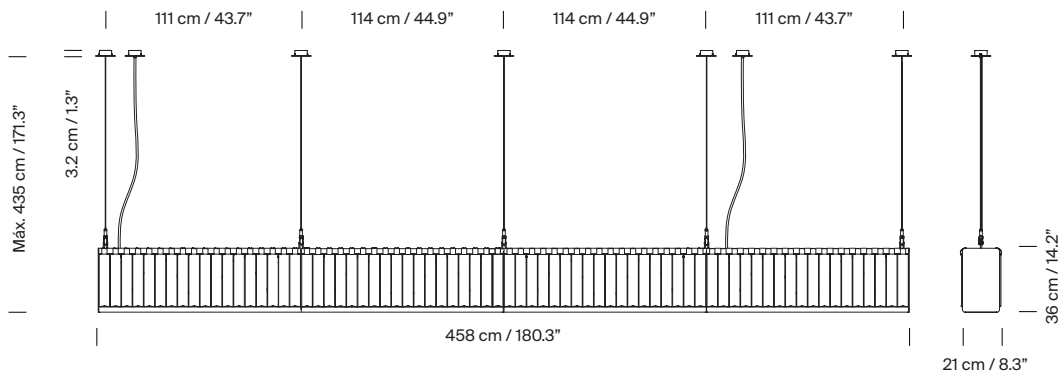
Model B: Línea Estadio 2 modules



Model C: Línea Estadio 3 modules



Model D: Línea Estadio 4 modules



Collection:
Wall lamps



Estadio



Estadio Singular

Pendant lamps



Estadio



Línea Estadio